



M5001-24-4x0-10Vdc



M5001-24-4x0-10Vdc



GHU Room / Duct

Combined temperature and humidity controller with display

General

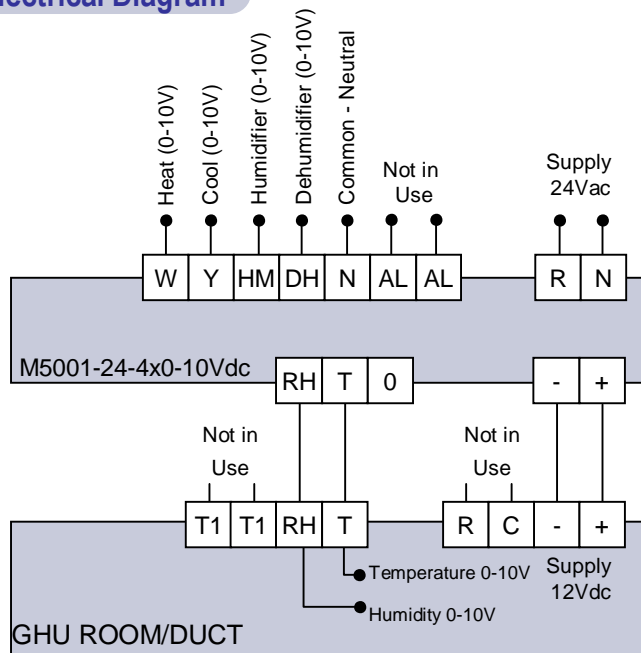
The M5001-24-4x0-10Vdc controller is the best multi-purpose display controller on the market today. Allowing for proportional control of both temperature and humidity, as well as On/Off control of the fan, the M5001-24 offers users unique flexibility and simplicity.

The M5001-24-4x0-10Vdc offers 4 different proportional outputs; Cool, Heat, Humidifier and De-humidifier, as well as one On/Off output for the Fan.

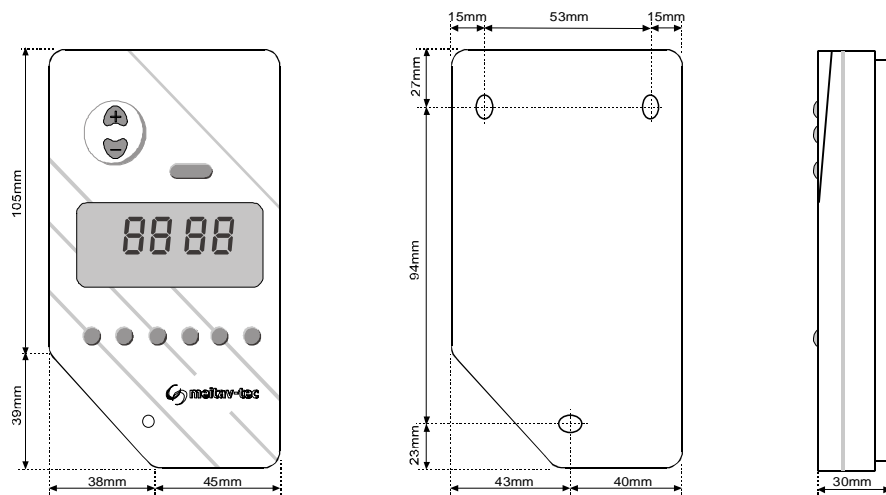
Additional features such as wide temperature and humidity ranges, adjustable differentials and adjustable dead-zones, make the M5001-24-4x0-10Vdc a truly unique and practical controller.

Features

- Main Supply – 24Vac
- Range temperature from 0°C-60°C
- Range humidity from 10%-99% RH
- Separate Proportional Cool and Heat outputs- 10-10Vdc
- Separate Proportional Humidifier and De-Humidifier outputs- 0-10Vdc
- Adjustable temperature differential (0.5°C-1.5°C) and dead-zone (0.5°C-2.5°C)
- Adjustable humidity differential (0.5%-3.0% RH) and dead-zone (0.5%-5.0% RH)
- Automatic operation
- Works with Meitav-tec's GHU sensor- combined temperature and humidity sensor for room or duct
- Input for Airflow

Electrical Diagram

Specifications

Temperature Range	10°C ÷ 30°C
Weight	0.25 Kg
Scale	°C
Color	White
Accuracy	1°C
Plastic	PC/ABS
Flammability	UL94V-0
Temperature Input	50K@25°C

Dimensions

Accessories

Part Number	Description
GHU/R	Power Supply
GHU/D	Power Supply with dry contacts
WP2	Decorative Plastic Back Plate
WP3	Decorative Plastic Back Plate - Wide