

Safety valves for solar energy systems Series SVE-SOL



Main features

Membrane safety valves for solar energy systems built accordingly to DIN4757 part 1, certified from TÜV as a result of tests according to sheets VdTÜV-SV100, TRD721 and TRD421.

- Certified TÜV SOLAR.
- Conform Directive PED 97/23/CEE
- Identification Number CE1115

 **WATTS**[®]
INDUSTRIES
Technology by nature

Description

The membrane safety valve is part of the safety device for solar energy systems installations feed with water or water mixture as vector, according to DIN4757part 1. The valve discharge pressure is factory-set and cannot be modified without manumission of the seal, placed on the cap, which indicates setting pressure and approval mark.

Maintenance

In order to assure a correct functioning, the safety valves must be checked periodically. In an installation, normally, the safety valve remains closed. During the time, impurities may settle near the shutter, it is necessary to proceed with a periodical washing of the valve seat, turning the knob in the direction shown by the arrow on the disk. Almost the total of problems (droppings, uncompleted closings) are caused from the presence of dirt between valve seat and shutter, periodical washings and verifications will prevent problems.



SVE-SOL

Diaphragm safety valve for solar systems.

TÜV SOLAR certified.

According to Directive PED

97/23/CEE. Identification number CE1115.

Type	Part No.	Dn	bar
SVE-SOL	0215835	1/2" x 3/4"	3.5
SVE-SOL	0215840	1/2" x 3/4"	4
SVE-SOL	0215860	1/2" x 3/4"	6
SVE-SOL	0215880	1/2" x 3/4"	8
SVE-SOL	0215899	1/2" x 3/4"	10

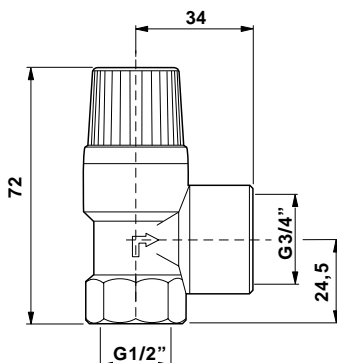
Design Features

Body and cage	EN12165-99 CW617N, hot pressed and sand blasted
Long	Lasting diaphragm resistant to 180 °C
Green discharge knob	UV-resistant shockproof resin
Spring	Galvanised steel heat stabilised
Stem	Reinforced resin
Disc	Resin with characteristic
Maximum operating temperature	160°C (320°F)
Parts in contact with fluid	suitable for use with 50% glycol mixture

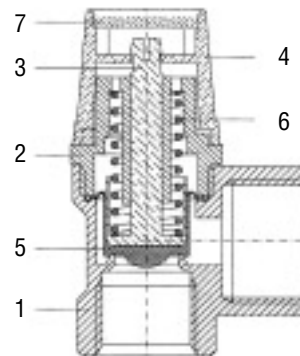
Technical Features

	3.5 bar	4 bar	6 bar	8 bar	10 bar
Inlet connection	1/2" female DIN-ISO228/1				
Outlet connection	3/4" female DIN-ISO228/1				
Set pressure (bar)	3.5	4	6	8	10
Discharge pressure (bar)	3.85	4.4	6.6	8.8	11
Closing pressure (bar)	2.8	3.2	4.8	6.4	8
Discharge flow (l/h) (measured with cold water, at discharge pressure +10%)	4300	4420	5400	6100	7800

Overall dimensions (mm)



1. Body
2. Cage
3. Stem
4. Knob
5. Diaphragm
6. Spring
7. Disc



The descriptions and photographs contained in this product specification sheet are supplied by way of information only and are not binding. Watts Industries reserves the right to carry out any technical and design improvements to its products without prior notice.